

Secure Safe Professional S2

for protection of documents, cash and valuables

- **Certified £4,000 cash rating and 30 minutes fire protection**

Many homeowners and small businesses would like to protect a small amount of cash and valuables. Safes such as the Secure Safe and Secure Safe Trend I would fall short of their needs. The perfect answer would be the "Secure Safe Professional S2". Based on double wall steel construction, the safe offers £4,000 cash rating, certified to EN14450, 30 minutes fire protection, Mauer electronic locking, removable shelf and choice of sizes. With such overwhelming value, its no wonder the "Professional S2" is most comprehensive cash safe from SecureLine. Many would agree...



Models

- The Secure Safe Professional S2 is available in five models, all designed to hold cash and valuables and to store documents

Construction

- The Professional S2 range has a double wall construction, 3 mm external and 2 mm internal and an 8 mm solid steel door
- Increased security is achieved by manganese steel plates which protect the lock, bolt-work and bolts against drilling
- The durable bolt-work has 2 or 4 bolts, which are chrome plated and have a diameter of 25 mm

Locking

- The safes are available with a Mauer President double bitted key lock or Mauer Code Combi K electronic PIN-code lock (both Class A, VdS / ECB•S approved)

Certification

- The Secure Safe Professional S2 is tested and certified to Security Class S2 (prEN 14450 / ECB•S)
- Filled with insulation material the Professional S2 range offers in addition fire protection in accordance with DIN 4102 for 30 minutes.

Additional features

- Fixing kit allows DIY securing of safe to floor and/or wall
- In addition the safes are supplied with a removable shelf as standard (except model 18)

Design

- The Professional range has modern styling and will complement any user environment
- The safes are in two-tone colour powder coated finish; light grey and dark grey
- The electronic lock is supplied in grey

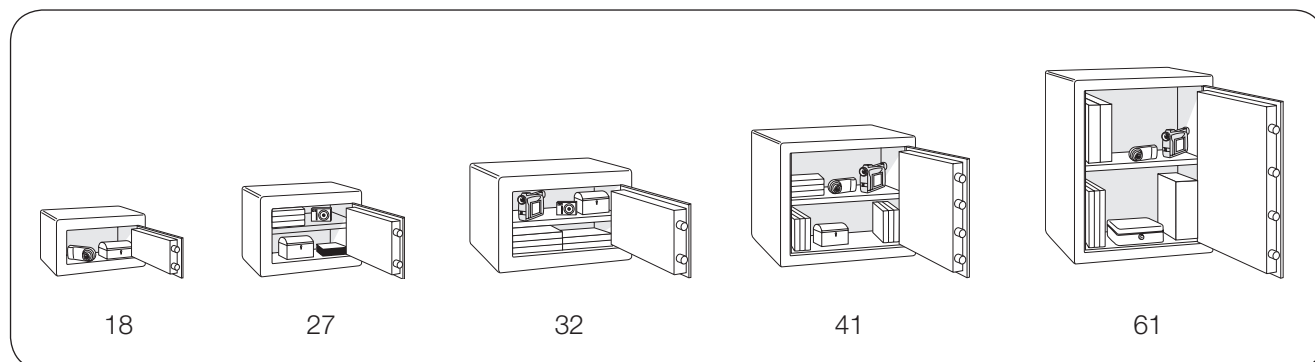


from **Chubb**safes



Secure Safe Professional S2

Models



Product data

Key lock

Model	Article No.	External dimensions (mm)			Internal dimensions (mm)			Volume (litres)	Weight (kg)	Shelf (qty)	Bolts (qty)	Fire Rating (mins)
		Height	Width	Depth	Height	Width	Depth					
PS2-18K	SL03400	180	310	205	100	230	110	3	18	N/A	2	30
PS2-27K	SL03401	270	350	345	190	270	240	13	34	1	2	30
PS2-32K	SL03402	320	440	395	240	360	290	26	48	1	2	30
PS2-41K	SL03404	410	460	395	330	380	290	37	58	1	4	30
PS2-61K	SL03405	610	460	395	530	380	290	60	77	1	4	30

Electronic lock

Model	Article No.	External dimensions (mm)			Internal dimensions (mm)			Volume (litres)	Weight (kg)	Shelf (qty)	Bolts (qty)	Fire Rating (mins)
		Height	Width	Depth	Height	Width	Depth					
PS2-27E	SL03407	270	350	345	190	270	240	13	34	1	2	30
PS2-32E	SL03408	320	440	395	240	360	290	26	48	1	2	30
PS2-41E	SL03410	410	460	395	330	380	290	37	58	1	4	30
PS2-61E	SL03411	610	460	395	530	380	290	60	77	1	4	30

SecureLine policy is one of constant improvement. The above specification may therefore be altered without prior notification.



from **Chubb**safes

Authorised dealer:

www.secureline.co.uk

printed by weav design - www.weav.co.uk